



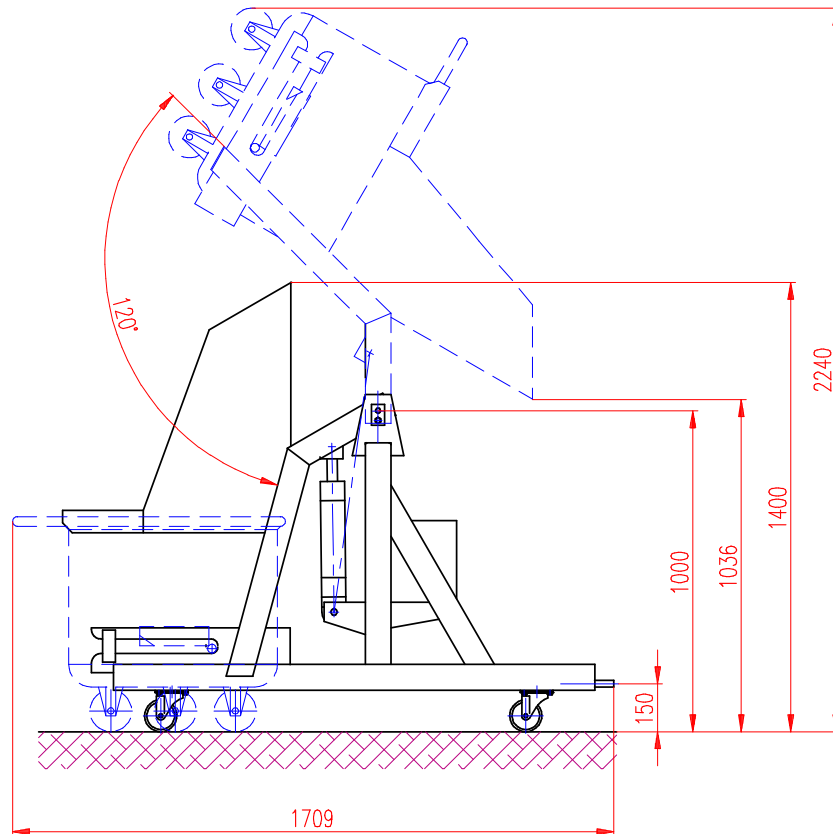
## LIFTING AND TIPPING DEVICE hydraulic



---

**Strojírna Pálava Maxima s.r.o.**

DESÁTKOVÁ 124/15, 623 00 BRNO KOHOUTOVICE  
Manufactory: TOVÁRNÍ 34, 679 32 SVITÁVKA  
tel: +420 - 516 453 834, fax: +420 - 516 453 834  
e-mail: [info@s-palava.cz](mailto:info@s-palava.cz); [www.s-palava.cz](http://www.s-palava.cz)



Cart lift, hydraulic, is made for lifting and tipping the trolley (capacity of 200 litres). Carcass and arm are produced from closed stainless steel profiles. There are 4 wheels for better manipulation, lifting is ensured by the hydraulic cylinder. This product contains the hopper sealed by silicone caulking to avoid leaking the raw material from the trolley.

### **Technical data**

Length	1710 mm
Width	963 mm
Height	1400 mm
Weight	135 kg
Tipping height	1035 mm
Load capacity	300 kg
Hydraulic aggregate	MC4-UN-V1B-PS-MP-T8-F1
Aggregate's electric input	2,2 kW
Hydraulic oil	ARAL VITAM BAF TYP HEPG